



LIGHTING

INSTALLATION INSTRUCTIONS

V90181

STEALTH GRAZE FIXTURE MOUNTING



Avoid Fire or Electric Shock

- *Installation Instructions for qualified electricians only.
- *Install per National Electrical Code and local regulations.
- *Read Installation Instructions completely before installation.
- *Failure to follow Installation Instructions may void warranties.



FIXTURE MOUNTING

1. Before Stealth Graze can be installed, blocking should be installed above ceiling around the fixture. (Figure 1)

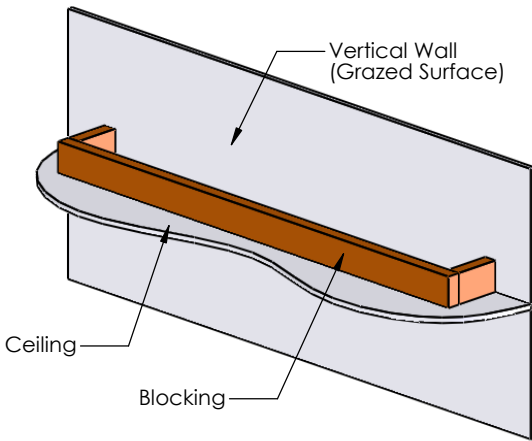


FIGURE 1

2. The Trim of the Stealth Graze must now be removed so that access can be gained to the Thermal Protector. This step may be skipped if blocking is not in the way of the Thermal Protector or a different mounting method is being used. Place the Utility Wedge between the Trim and the Plaster Frame and push straight up until the Trim pops out. (Figure 2) Do not bend the Utility Wedge while in the Fixture, as it might break.

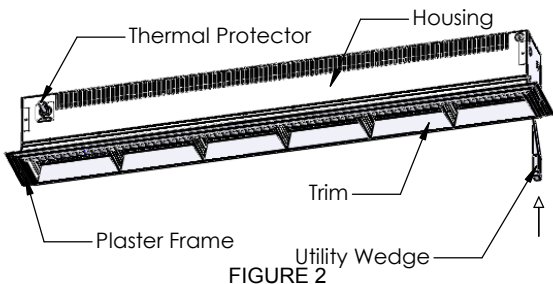


FIGURE 2

3. Once the Trim is removed, the Thermal Protector should be pulled inside the Housing so that the Fixture will slide past the Blocking. To do this, reach inside the Housing, unscrew the Thumb Screw, and pull the Thermal Bracket (with the Thermal Protector attached) into the Housing. (Figure 3) The Fixture can now be hoisted into the ceiling for mounting.

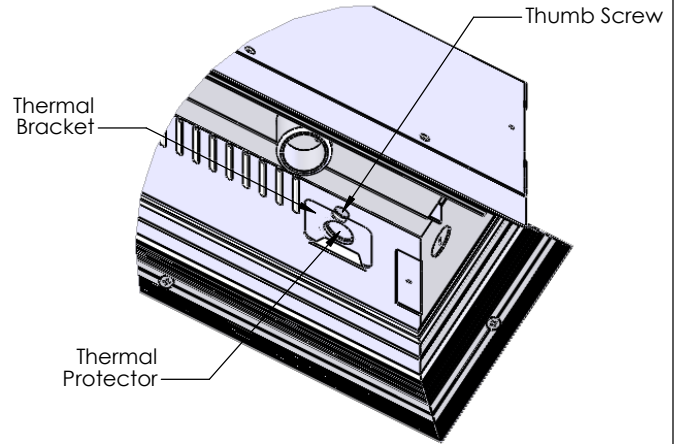


FIGURE 3

4a. If two or more Stealth Graze Housings are being used, align Housings into Ceiling, butting fixtures end to end tightly. Place two (2) Connecting Screws through Connecting Holes on Housings, and secure with Connecting Nuts. (Figure 4)

4b. Once the Fixture is placed into the ceiling, it can be secured using countersunk screws. Fixture should be mounted by screwing through the Plaster Frame (screw holes are already countersunk) and into the blocking. (Figures 5 & 6) If additional screw locations are needed, there is a screw line in the Plaster Frame extrusion to facilitate this process.

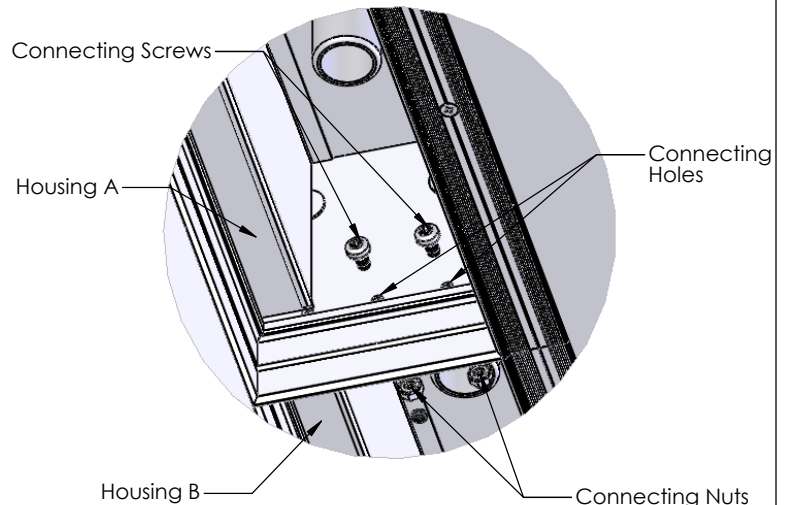


FIGURE 4

Visit our web site at: www.rsalighting.com



L I G H T I N G

INSTALLATION INSTRUCTIONS

V90181

STEALTH GRAZE FIXTURE MOUNTING



Avoid Fire or Electric Shock

- *Installation Instructions for qualified electricians only.
- *Install per National Electrical Code and local regulations.
- *Read Installation Instructions completely before installation.
- *Failure to follow Installation Instructions may void warranties.



FIXTURE MOUNTING (Cont'd)

5. Once the fixture is mounted, the Thermal Protector can be returned to proper position by placing the Thermal Bracket back into the Housing using the Thumb Screw. (Figure 6)

6. The Fixture can now be mudded with the ceiling material. Apply drywall tape to inside of the fixture to ensure fixture is not mudded. Place mudding compound on edge of Plaster Frame and feather away from fixture on all three sides. (Figure 6) Once the ceiling is dry, the Trim can now be inserted into the Housing.

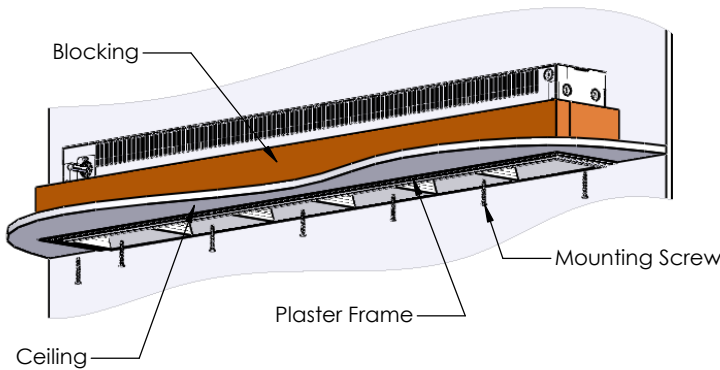


FIGURE 5

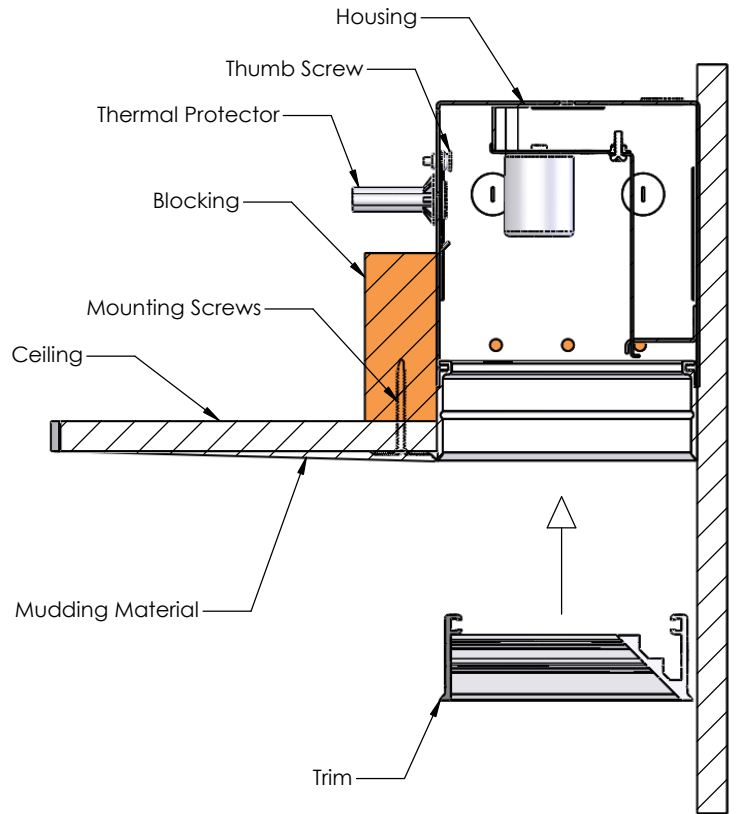


FIGURE 6

Visit our web site at: www.rsalighting.com